

# VULCAN

Top 10 New Products 2023 **WORLD AG EXPO**



**Challenged by cost, availability and quality of hand weeding?  
Confront YOUR weeding challenges head-on!**

**REDUCE COSTS / COVER MORE ACRES / REPEAT**

## PROVEN

Using our years of best-in-class commercial weeding service, we have built Vulcan to deliver unparalleled performance in the field.

## RELIABLE

Built on a traditional 3-point equipment frame, we have combined traditional cultivation standards with proven weeding actions.

## LIGHTWEIGHT

Compact footprint and lightweight design give you a large range of flexibility in entering fields. Quickly configure Vulcan from one setup to the next and get the most out of this equipment every day.

## SUPERIOR WEEDING QUALITY

Vulcan's embedded intelligence and accurate weeding action results in consistent performance every hour of every day. Whatever the light conditions, every foot of the bed is the same!

## UNRIVALED OPERATOR VISIBILITY

We remove the guesswork in the field. From simple start of day setup to continuous visibility, the open frame design gives you the performance you demand.

## COMMITTED TO YOUR SUCCESS

We recognize how essential field support is and are committed to providing on and off-the-field support and maintenance through our experienced team of techs and fabricators.



Vulcan is the **next-generation weeding implement**. Combining reliable precision in all field and lighting conditions with ease of operation, Vulcan is about maximizing weeding quality and performance ensuring you make the most of your implement.



It's about saving you money, providing you flexibility in your weeding program and keeping equipment running in the field.



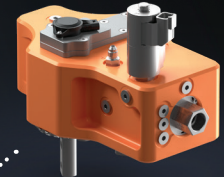
## HERE IS HOW VULCAN DELIVERS:

Simple 3-tap In-Cab HMI allows for quick configuration and customization for rapid start of day and precise adjustment for high quality weeding

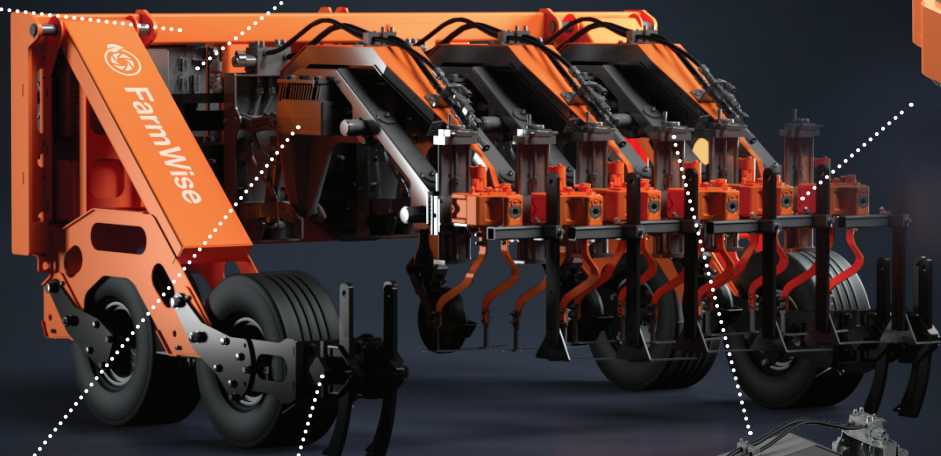
Localized computing manages all analytics and actuations for fraction-of-a-second responsiveness

High visibility, lightweight, open implement structure facilitates larger window for weeding in your crop cycle plus allows the operator to easily supervise weeding quality

Powered via PTO connection for both electrical and hydraulic functionality which allows for maximum uptime and improved reliability



Durable, high speed actuators deliver exacting repeatable results



Brighter than the sun lighting and high Frame-Per-Second image capture system translate high resolution photos for flawless detections to drive rapid and consistent results

Additional tooling mounts allow you to combine full cultivation and bottom breaking into a single pass with Vulcan



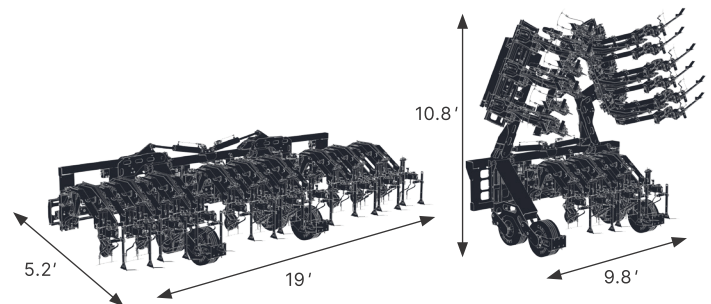
Operator adjustment for different crop and bed configurations can be made in minutes. Each self-contained weeder module then makes automatic micro adjustments based on bed terrain

### Specifications of single (s) and triple-bed (t)

- 1 to 8 lines per bed
- 76"-84" bed width
- < 3,500 lbs (single-bed)
- Category II, 3-point hitch
- Robust IP69 components, washdown capable
- Multiple, proprietary blade designs
- Minimal hands-on adjustments from the cab
- Modern in-cab monitor
- Remotely driven software updates
- App interface for managers with field data
- No cellular service required for operation
- On and off-the-field support, straightforward maintenance and repair

### Crop Models

- All lettuce varieties
- Cauliflower
- Broccoli
- Celery
- Green and red cabbage
- Artichokes
- Brussels sprouts
- Kale
- Radicchio
- + many more to come



1037 Abbott St. Salinas, CA 93901  
[www.farmwiselabs.com](http://www.farmwiselabs.com)  
[contact@farmwise.io](mailto:contact@farmwise.io)

Pre-order your machine here ▶

